

ALLEN WRENCH

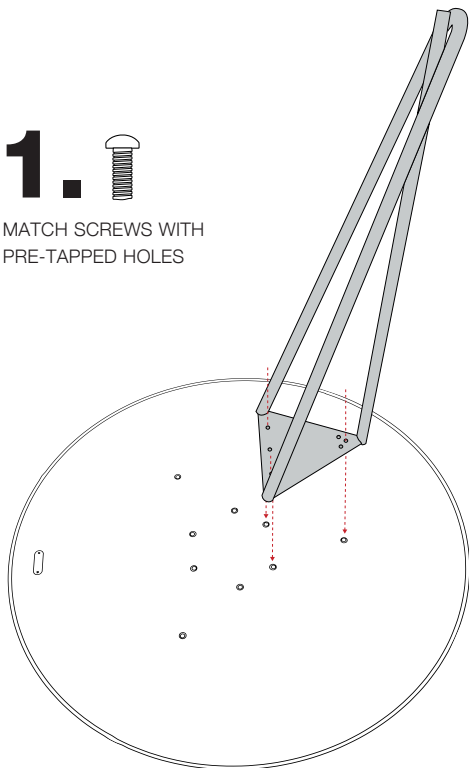


SCREW 9 PCS



1. 

MATCH SCREWS WITH
PRE-TAPPED HOLES



2.

TIGHTEN PROPERLY

